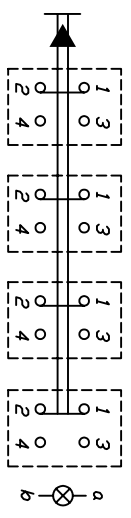
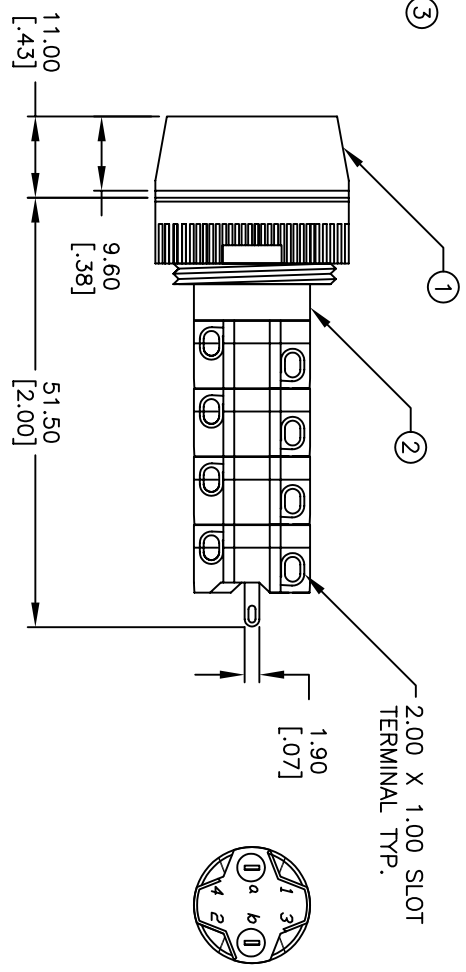
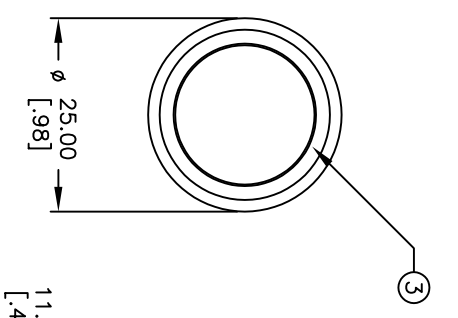


RECOMMENDED PANEL MOUNTING



4PST  
CONTACT CONFIGURATION



PARTS LIST		
Item	Qty.	Dwg. No. Part No.
1	1	F051702 25mm RING FOR LA SERIES
2	1	F060605 LASEEV140
3	1	F061255 25mm RED LENS
-	1	F050405 50-004-05 (LAMP)

- NOTES:
1. ALL DIMENSIONS IN MM [INCH]
  2. GENERAL TOLERANCE: X.X=±0.4  
X.XX=±0.25
  3. RATINGS: 250VAC @1A, 2A, 4A, 5A

A	11189	RELEASED FOR PRODUCTION	1/18/01	CJB
REV.	ECN No.	DESCRIPTION	DATE	CHKD

THE INFORMATION CONTAINED IN THIS DOCUMENT IS PROPRIETARY TO E-SWITCH AND IS NOT TO BE COPIED OR TRANSFERRED

TITLE: LAS EE V1 4C RED

SCALE: 1:1

DATE: 1/18/01

DR: CJB

DWG: XF03764

REV: A